



**TWHA-S**

**Hidrolik Aktuatör-Sabit**  
*Hydraulic Actuator-Stationary*

# TWHA-S

## Hidrolik Aktuatör-Sabit

### Hydraulic Actuator-Stationary

#### Genel Uygulama Alanları / General Applications

- **Medikal ekipman** / Medical equipment
- **Operatör koltuğu** / Operator seating
- **Mayo masası** / Mayo instrument table
- **Platformlu kaldırma arabası** / Lifting chair

#### Temel Özellikler / Basic Principles

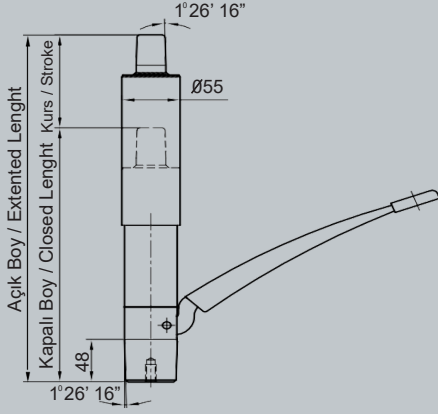
- **Uzun ömür** / Long working life
- **Sessiz çalışma** / Quiet, smooth operation
- **Kontrollü iniş hızı** / Regulated descent time
- **Manuel çalışma** / Manual operation
- **Yük altında bekleme süresince sabit kalabilme** / Fixed under force for holding position
- **Krom kaplama ile yüzey koruma** / Chromed surface protection
- **Dikey kullanım** / Vertical use
- **Sabit fonksiyon (dönmeyen mil)** / Stationary function (not rotational shaft)

TWHA-S / DETAY TABLO /  
DETAILED TABLE

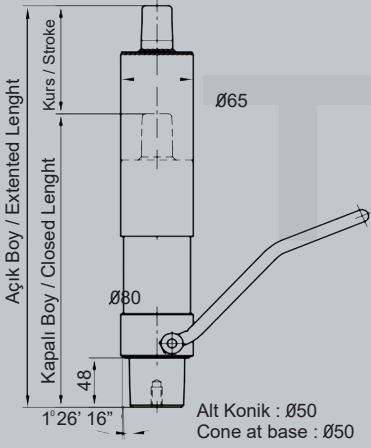
Kurs Boyu / Stroke Length	Kapalı Boy / Closed Length	Maksimum Kaldırma Kuvveti / Maximum Dynamic Push Force	Yüzey Koruma / Surface Protection	Alt Konik / Extended Length
90-500	331-750	250-300 daN	Kromaj / Chromed	Ø50

\*Farklı pedal modelleri & üst bağlantısı için sorunuz / \*Different pedal models & top connection on request

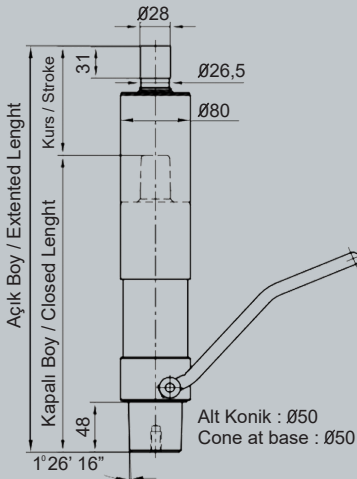




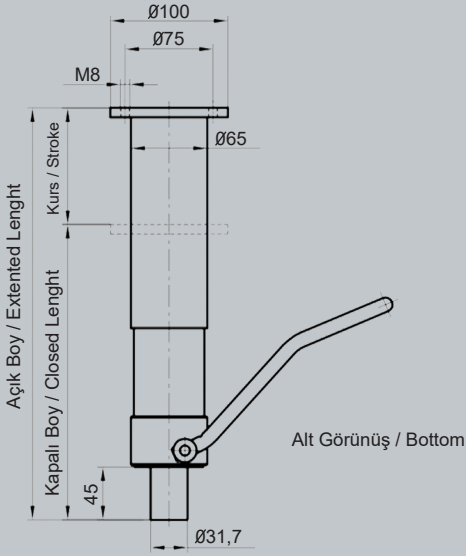
TWHA-S / DETAY TABLO / DETAILED TABLE				
Standart Tipler (Standart Types) Kromaj / Chromed	Kurs / Stroke	Kapalı Boy / Closed Lenght	Açık Boy / Extended Lenght	Kaldırma Kuvveti daN(kg) / Lifting Force daN KG
T951090000	90	331	421	250
T951100000	100	341	441	250
T951120000	120	361	481	250
T951140000	140	381	521	250
T951150000	150	391	541	250
T951200000	200	441	641	250
T951250000	250	491	741	250
T951300000	300	541	841	250
T951350000	350	591	941	250
T951400000	400	641	1041	250
T951450000	450	691	1141	250
T951500000	500	741	1241	250



TWHA-S / DETAY TABLO / DETAILED TABLE				
Standart Tipler (Standart Types) Kromaj / Chromed	Kurs / Stroke	Kapalı Boy / Closed Lenght	Açık Boy / Extended Lenght	Kaldırma Kuvveti daN(kg) / Lifting Force daN KG
T952090000	90	331	421	250
T952100000	100	341	441	250
T952120000	120	361	481	250
T952140000	140	381	521	250
T952150000	150	391	541	250
T952200000	200	441	641	250
T952250000	250	491	741	250
T952300000	300	541	841	250
T952350000	350	591	941	250
T952400000	400	641	1041	250
T952450000	450	691	1141	250
T952500000	500	741	1241	250



TWHA-S / DETAY TABLO / DETAILED TABLE				
Standart Tipler (Standart Types) Kromaj / Chromed	Kurs / Stroke	Kapalı Boy / Closed Lenght	Açık Boy / Extended Lenght	Kaldırma Kuvveti daN(kg) / Lifting Force daN KG
T952250100	250	490	740	300
T952300100	300	540	840	300
T952350100	350	590	940	300
T952400100	400	640	1040	300
T952450100	450	690	1140	300
T952500100	500	740	1240	300



TWHA-S / DETAY TABLO / DETAILED TABLE

Standart Tipler (Standart Types) Kromaj / Chromed	Kurs / Stroke	Kapalı Boy / Closed Length	Açık Boy / Extended Length	Kaldırma Kuvveti daN(kg) / Lifting Force daN KG
T952250200	250	500	750	300
T952300200	300	550	850	300
T952350200	350	600	950	300
T952360200	360	748	1108	300
T952400200	400	650	1050	300
T952450200	450	700	1150	300
T952500200	500	750	1250	300

# TWOK

TWOK