



TWHA-P **Hidrolik Aktuatör-Platform**
Hydraulic Actuator -Platform

TWHA-P

Hidrolik Aktuatör-Platform

Hydraulic Actuator -Platform

Genel Uygulama Alanları / General Applications

- Medikal ekipman / Medical equipment
- Kaptan koltuğu / Helm seating
- Kuafor koltuğu / Hairdresser chair
- Platformlu kaldırma arabası / Lifting chair

Temel Özellikler / Basic Principles

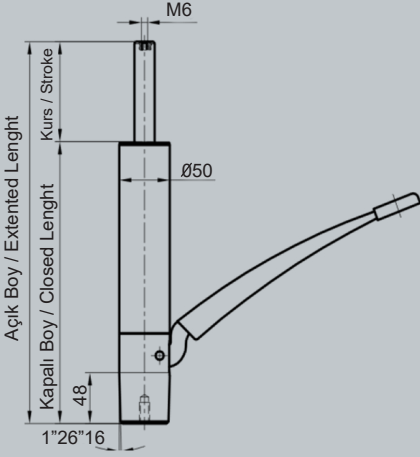
- El ile açılma / Pull-up function
- Sessiz çalışma / Quiet, smooth operation
- Kontrollü iniş hızı / Regulated descent time
- Manuel çalışma / Manual operation
- Yük altında bekleme süresince sabit kalabilme / Fixed under force for holding position
- Krom kaplama ile yüzey koruma / Chromed surface protection

TWHA-P / DETAY TABLO / DETAILED TABLE

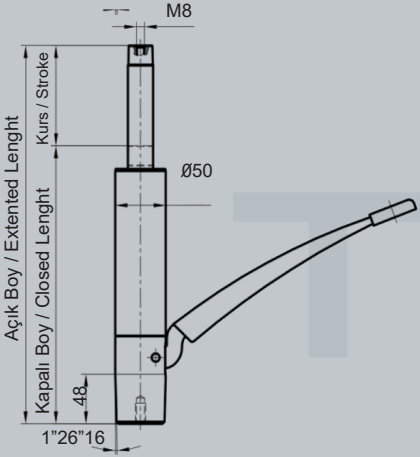
Kurs Boyu / Stroke Length	Kapalı Boy / Closed Length	Maksimum Kaldırma Kuvveti / Maximum Dynamic Push Force	Alt Konik / Extended Length
90-511	280-741	250-300 daN	Ø50

*Farklı pedal & üst bağlantı medelleri için sorunuz. / *Different pedals & top connections on request

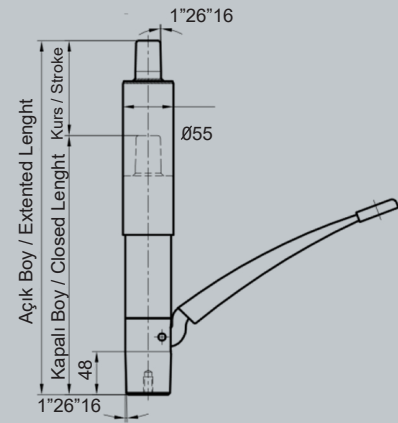




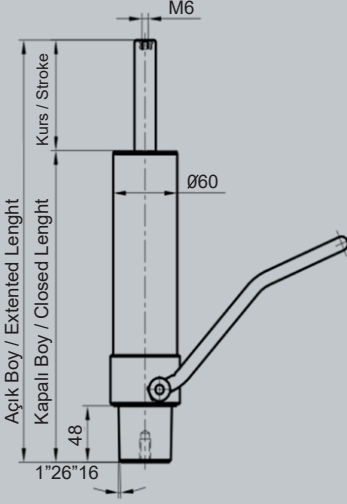
TWHA-P / DETAY TABLO / DETAILED TABLE					
Standart Tipler (Standart Types) Kromaj / Chromed	Standart Tipler (Standart Types) Siyah / Black	Kurs / Stroke	Kapalı Boy / Closed Length	Açık Boy / Extended Length	Kaldırma Kuvveti daN(kg) / Lifting Force daN KG
T941090000	T941090200	90	280 ±2	370 ±2	250
T941100000	T941100200	100	290 ±2	390 ±2	250
T941120000	T941120200	120	310 ±2	430 ±2	250
T941140000	T941140200	140	330 ±2	470 ±2	250
T941150000	T941150200	150	340 ±2	490 ±2	250
T941200000	T941200200	200	390 ±2	590 ±2	250
T941250000	T941250200	250	440 ±2	690 ±2	250
T941300000	T941300200	300	490 ±2	790 ±2	250
T941350000	T941350200	350	540 ±2	890 ±2	250
T941400000	T941400200	400	590 ±2	990 ±2	250



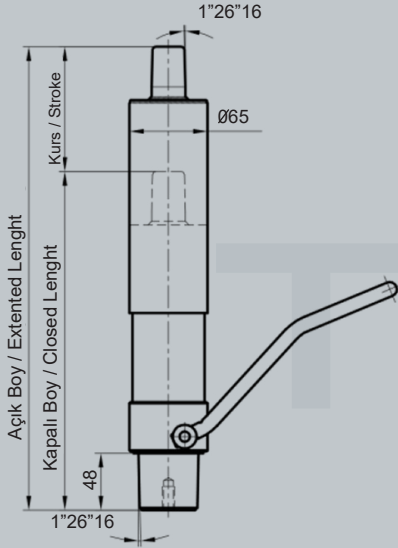
TWHA-P / DETAY TABLO / DETAILED TABLE					
Standart Tipler (Standart Types) Kromaj / Chromed	Standart Tipler (Standart Types) Siyah / Black	Kurs / Stroke	Kapalı Boy / Closed Length	Açık Boy / Extended Length	Kaldırma Kuvveti daN(kg) / Lifting Force daN KG
T941090100	T941090300	90	280 ±2	370 ±2	250
T941100100	T941100300	100	290 ±2	390 ±2	250
T941120100	T941120300	120	310 ±2	430 ±2	250
T941140100	T941140300	140	330 ±2	470 ±2	250
T941150100	T941150300	150	340 ±2	490 ±2	250
T941200100	T941090300	200	390 ±2	590 ±2	250
T941250100	T941250300	250	440 ±2	690 ±2	250
T941300100	T941300300	300	490 ±2	790 ±2	250
T941350100	T941350300	350	540 ±2	890 ±2	250
T941400100	T941400300	400	590 ±2	990 ±2	250



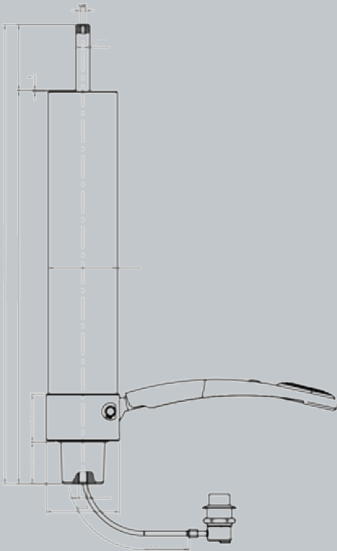
TWHA-P / DETAY TABLO / DETAILED TABLE				
Standart Tipler (Standart Types) Kromaj / Chromed	Kurs / Stroke	Kapalı Boy / Closed Length	Açık Boy / Extended Length	Kaldırma Kuvveti daN(kg) / Lifting Force daN KG
T942090000	90	331 ±2	421 ±2	250
T942100000	100	341 ±2	441 ±2	250
T942120000	120	361 ±2	481 ±2	250
T942140000	140	381 ±2	521 ±2	250
T942150000	150	391 ±2	541 ±2	250
T942200000	200	441 ±2	641 ±2	250
T942250000	250	491 ±2	741 ±2	250
T942300000	300	541 ±2	841 ±2	250
T942350000	350	591 ±2	941 ±2	250
T942400000	400	641 ±2	1041 ±2	250
T942450000	450	691 ±2	1141 ±2	250
T942500000	500	741 ±2	1241 ±2	250



TWHA-P / DETAY TABLO / DETAILED TABLE					
Standart Tipler (Standart Types) Kromaj / Chromed	Standart Tipler (Standart Types) Siyah / Black	Kurs / Stroke	Kapalı Boy / Closed Lenght	Açık Boy / Extended Lenght	Kaldırma Kuvveti daN(kg) / Lifting Force daN KG
T943090000	T943090100	90	280 ±2	370 ±2	300
T943100000	T943100100	100	290 ±2	390 ±2	300
T943120000	T943120100	120	310 ±2	430 ±2	300
T943140000	T943140100	140	330 ±2	470 ±2	300
T943150000	T943150100	150	340 ±2	490 ±2	300
T943200000	T943200100	200	390 ±2	590 ±2	300
T943250000	T943250100	250	440 ±2	690 ±2	300
T943300000	T943300100	300	490 ±2	790 ±2	300
T943350000	T943350100	350	540 ±2	890 ±2	300
T943400000	T943400100	400	590 ±2	990 ±2	300



TWHA-P / DETAY TABLO / DETAILED TABLE				
Standart Tipler (Standart Types) Kromaj / Chromed	Kurs / Stroke	Kapalı Boy / Closed Lenght	Açık Boy / Extended Lenght	Kaldırma Kuvveti daN(kg) / Lifting Force daN KG
T944090000	90	331 ±2	421 ±2	300
T944100000	100	341 ±2	441 ±2	300
T944120000	120	361 ±2	481 ±2	300
T944140000	140	381 ±2	521 ±2	300
T944150000	150	391 ±2	541 ±2	300
T944200000	200	441 ±2	641 ±2	300
T944250000	250	491 ±2	741 ±2	300
T944300000	300	541 ±2	841 ±2	300
T944350000	350	591 ±2	941 ±2	300
T944400000	400	641 ±2	1041 ±2	300
T944400000	450	691 ±2	1141 ±2	300
T944400000	500	741 ±2	1241 ±2	300



TWHA-P / DETAY TABLO / DETAILED TABLE				
Standart Tipler (Standart Types) Kromaj / Chromed	Kurs / Stroke	Kapalı Boy / Closed Lenght	Açık Boy / Extended Lenght	Kaldırma Kuvveti daN(kg) / Lifting Force daN KG
T945280000	280	511 ±2	791 ±2	300

TWOK